

Incremental encoders

Large hollow shaft optical	A020 (hollow shaft)	Push-pull / RS422 / SinCos
-----------------------------------	----------------------------	-----------------------------------



The incremental encoder type A020 with optical sensor technology is available with a through hollow shaft up to max. 42 mm diameter.

With an installation depth of just 43 mm it is optimally suited for mounting on large shafts, even where space is tight.



Incremental encoders

High rotational speed	High protection level	Shock / vibration resistant	Magnetic field proof	Optical sensor

Compact

- Minimal installation depth but large hollow shaft.
- Available with compact M12 connector.
- Torque stop can be implemented even with small radius.

Flexible

- With push-pull, RS422 or SinCos interface.
- Hollow shaft from 20 mm up to 42 mm as standard.
- With cable connection, M12 or M23 connectors.

Order code Hollow shaft

8.A020 . **XXXX** . **XXXX**
Type a b c d e

If for each parameter of an encoder the **underlined preferred option** is selected, then the delivery time will be 10 working days for a maximum of 10 pieces. Qts. up to 50 pcs. of these types generally have a delivery time of 15 working days.



a Flange
 2 = with spring element, short
3 = with spring element, long
 5 = with torque stop, long

b Through hollow shaft
 C = ø 20 mm [0.79"]
 6 = ø 24 mm [0.94"]
5 = ø 25 mm [0.98"]
 3 = ø 28 mm [1.10"]
A = ø 30 mm [1.18"]
 2 = ø 38 mm [1.50"]
 B = ø 40 mm [1.57"]
 1 = ø 42 mm [1.65"]
 4 = ø 1"

c Output circuit / power supply
1 = RS422 (with inverted signal) / 5 V DC
 4 = RS422 (with inverted signal) / 10 ... 30 V DC
 2 = Push-pull (without inverted signal) / 10 ... 30 V DC
 5 = Push-pull (with inverted signal) / 5 ... 30 V DC
3 = Push-pull! (with inverted signal) / 10 ... 30 V DC
 A = Push-pull (7272 compatible) / 5 ... 30 V DC
 8 = SinCos, 1 Vpp (with inverted signal) / 5 V DC
 9 = SinCos, 1 Vpp (with inverted signal) / 10 .. 30 V DC

d Type of connection
 1 = radial cable, 1 m [3.28'] PVC
 A = radial cable, special length PVC *)
2 = radial M23 connector, 12-pin, without mating connector
 E = radial M12 connector, 8-pin

*) Available special lengths (connection type A):
 2, 3, 5, 8, 10, 15 m [6.56, 9.84, 16.40, 26.25, 32.80, 49.21']
 order code expansion .XXXX = length in dm
 ex.: 8.A020.351A.2048.0030 (for cable length 3 m)

e Pulse rate
 50, 360, 512, 600, 1000, 1024, 1500,
 2000, 2048, 2500, 4096, 5000
 (e.g. 360 pulses => 0360)

 SinCos version only available
 with pulses ≥ 1024

Optional on request
 - other pulse rates

Incremental encoders

Large hollow shaft optical	A020 (hollow shaft)	Push-pull / RS422 / SinCos
-----------------------------------	----------------------------	-----------------------------------

Mounting accessory for hollow shaft encoders	Dimensions in mm [inch]	Order no.
Cylindrical pin, long for flange with spring element (flange type 2 + 3)	with fixing thread 	8.0010.4700.0003
Connection technology		
Cordset, pre-assembled		
	M12 female connector with coupling nut, 8-pin 2 m [6.56'] PVC cable	05.00.6041.8211.002M
	M23 female connector with coupling nut, 12-pin 2 m [6.56'] PVC cable	8.0000.6201.0002
Connector, self-assembly (straight)		
	M12 female connector with coupling nut, 8-pin	05.CMB 8181-0
	M23 female connector with coupling nut, 12-pin	8.0000.5012.0000

Further accessories can be found in the accessories section or in the accessories area of our website at: www.kuebler.com/accessories.
 Additional connectors can be found in the connection technology section or in the connection technology area of our website at: www.kuebler.com/connection_technology.

Technical data

Mechanical characteristics		Electrical characteristics SinCos output		
Maximum speed	3000 min ⁻¹ 1)	Output circuit	SinCos U = 1 Vpp	SinCos U = 1 Vpp
Mass moment of inertia 2)	< 150 x 10 ⁻⁶ kgm ²	Power supply	5 V DC (±5 %)	10 ... 30 V DC
Starting torque with sealing at 20°C [68°F]	< 0.2 Nm	Power consumption with inverted signal (no load)	typ. 65 mA max. 110 mA	typ. 65 mA max. 110 mA
Weight	approx. 0.7 kg [24.69 oz]	-3 dB frequency	≤180 kHz	≤180 kHz
Protection acc. to EN 60529	IP65	Signal level	channels A/B 1 Vpp (±20 %) channel 0 0.1 ... 1.2 V	1 Vpp (±20 %) 0.1 ... 1.2 V
Working temperature range	-40°C 3) ... +70°C [-40°F 3) ... +158°F]	Short circuit proof outputs 4)	yes	yes
Material	shaft stainless steel H7	Reverse polarity protection of the power supply	no	yes
Shock resistance acc. to EN 60068-2-27	1000 m/s ² , 6 ms	UL approval	file 224618	
Vibration resistance acc. to EN 60068-2-6	100 m/s ² , 10 ... 2000 Hz	CE compliant acc. to	EMC guideline 2014/30/EU RoHS guideline 2011/65/EU	

Electrical characteristics				
Output circuit	RS422 (TTL compatible)	Push-pull	Push-pull (7272 compatible)	
Power supply	5 V DC (±5 %) or 10 ... 30 V DC	10 ... 30 V DC	5 ... 30 V DC	
Power consumption (no load)				
	without inverted signal – with inverted signal typ. 40 mA/max. 90 mA	typ. 55 mA/max. 125 mA typ. 80 mA/max. 150 mA	– typ. 50 mA/max. 100 mA	
Permissible load / channel	max. +/- 20 mA	max. +/- 30 mA	max. +/- 20 mA	
Pulse frequency	max. 300 kHz	max. 300 kHz	max. 300 kHz	
Signal level	HIGH min. 2.5 V LOW max. 0.5 V	min. +V - 3.0 V max. 2.5 V	min. +V - 2.0 V max. 0.5 V	
Rising edge time t_r	max. 200 ns	max. 1 µs	max. 1 µs	
Falling edge time t_f	max. 200 ns	max. 1 µs	max. 1 µs	
Short circuit proof outputs 4)	yes 5)	yes	yes	
Reverse polarity protection of the power supply	no, 10 ... 30 V DC: yes	yes	no	
UL approval	file 224618			
CE compliant acc. to	EMC guideline 2014/30/EU RoHS guideline 2011/65/EU			

1) Short term (app. 15 min. range) up to 3500 min⁻¹.

2) Depending on shaft diameter.

3) With connector: -40°C [-40°F], securely installed: -30°C [-22°F], flexibly installed: -20°C [-4°F].

4) If power supply correctly applied.

5) Only one channel allowed to be shorted-out:
 at +V = 5 V DC short circuit to channel, 0 V, or +V is permitted.
 at +V = 10 ... 30 V DC short circuit to channel or 0 V is permitted.

Incremental encoders

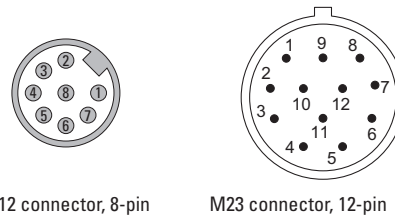
Large hollow shaft optical	A020 (hollow shaft)	Push-pull / RS422 / SinCos
-----------------------------------	----------------------------	-----------------------------------

Terminal assignment

Output circuit	Type of connection	Cable (isolate unused wires individually before initial start-up)											
1 ... A	1, A	Signal:	0 V	+V	0 Vsens	+Vsens	A	\bar{A}	B	\bar{B}	0	$\bar{0}$	\perp
		Cable color:	WH	BN	GY PK	RD BU	GN	YE	GY	PK	BU	RD	shield
Output circuit	Type of connection	M23 connector, 12-pin											
1 ... A	2	Signal:	0 V	+V	0 Vsens	+Vsens	A	\bar{A}	B	\bar{B}	0	$\bar{0}$	\perp
		Pin:	10	12	11	2	5	6	8	1	3	4	PH ¹⁾
Output circuit	Type of connection	M12 connector, 8-pin											
1 ... A	E	Signal:	0 V	+V	0 Vsens	+Vsens	A	\bar{A}	B	\bar{B}	0	$\bar{0}$	\perp
		Pin:	1	2	-	-	3	4	5	6	7	8	PH ¹⁾

- +V: Encoder power supply +V DC
- 0 V: Encoder power supply ground GND (0 V)
- 0 Vsens / +Vsens: Using the sensor outputs of the encoder, the voltage present can be measured and if necessary increased accordingly.
- A, \bar{A} : Incremental output channel A
- B, \bar{B} : Incremental output channel B
- 0, $\bar{0}$: Reference signal
- PH \perp : Plug connector housing (shield)

Top view of mating side, male contact base

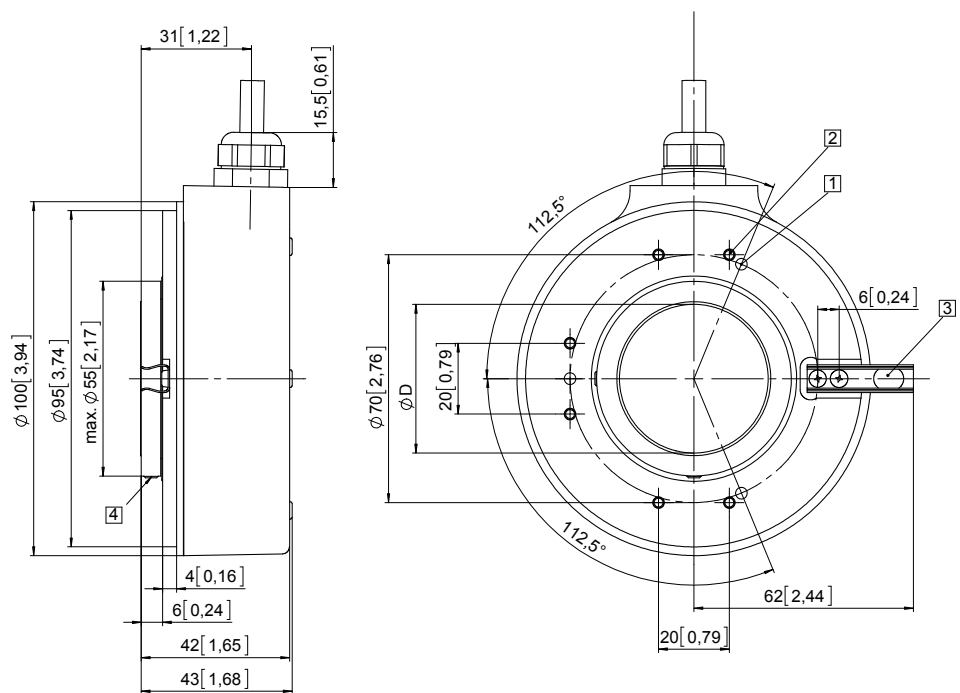


Dimensions hollow shaft version

Dimensions in mm [inch]

Flange with spring element, long Flange type 3

- 1) 3 x M4, 7 [0.28] deep
- 2) 6 x M3, 8 [0.31] deep
- 3) Cylindrical pin DIN 6325, \varnothing 6 [0.24]
- 4) Recommended torque for the clamping ring 1.0 Nm



D	Fit
20 [0.79]	H7
24 [0.94]	H7
25 [0.98]	H7
28 [1.10]	H7
30 [1.18]	H7
38 [1.50]	H7
40 [1.57]	H7
42 [1.65]	H7
1"	H7

Typ. insertion depth: 1.5 x D
up to L hollow shaft max.

1) PH = shield is attached to connector housing.

Incremental encoders

Incremental encoders

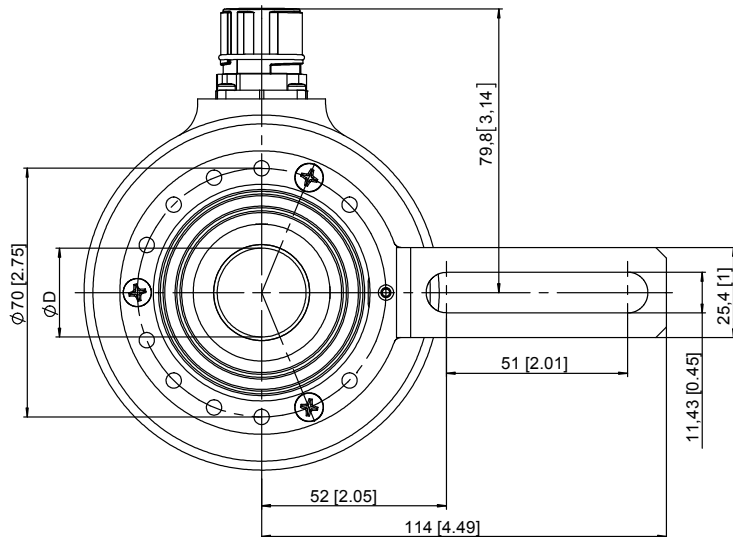
Large hollow shaft optical	A020 (hollow shaft)	Push-pull / RS422 / SinCos
---------------------------------------	----------------------------	-----------------------------------

Dimensions hollow shaft version

Dimensions in mm [inch]

Flange with torque stop, long Flange type 5

- 1 Recommended torque for the clamping ring 1.0 Nm



D	Fit
20 [0.79]	H7
24 [0.94]	H7
25 [0.98]	H7
28 [1.10]	H7
30 [1.18]	H7
38 [1.50]	H7
40 [1.57]	H7
42 [1.65]	H7
1"	H7

Typ. insertion depth: 1.5 x D
up to L hollow shaft max.

